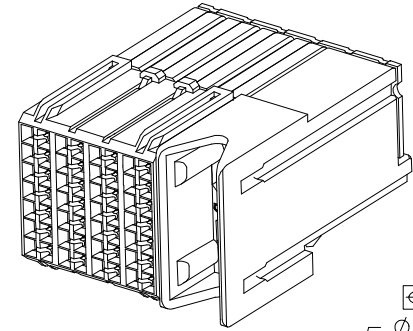


13	12	11	10	9	8	7	6	5	4	3	2	1
MATERIAL NUMBER		# OF COLUMNS		DIM. "A" MAX.		DIM. "B"						
76020-**-04		4		22.20		11.10						
76020-**-06		6		29.60		18.50						
76020-**-10		10		44.40		33.30						



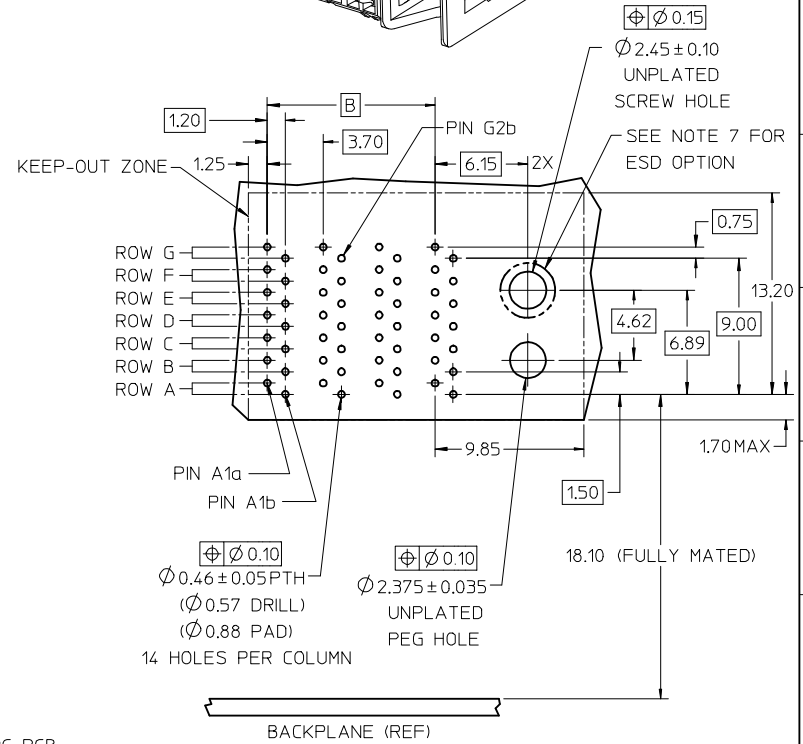
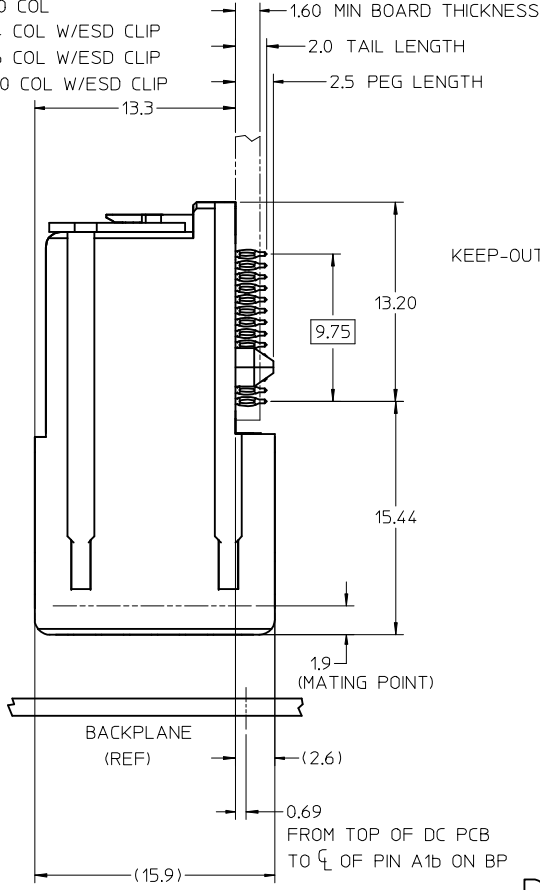
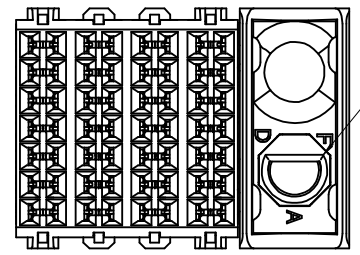
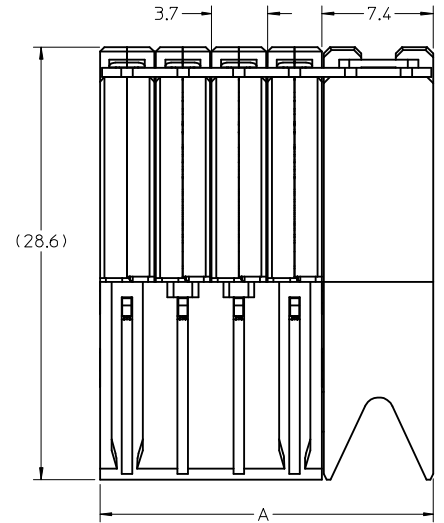
76020-****

MODULE TYPE -- TAIL PLATING TYPE
GUIDE RIGHT -- TIN/LEAD = 4
GUIDE RIGHT -- TIN ONLY = 5

OF COLUMNS
04 = 4 COL
06 = 6 COL
10 = 10 COL
54 = 4 COL W/ESD CLIP
56 = 6 COL W/ESD CLIP
50 = 10 COL W/ESD CLIP

POLARIZATION KEY ORIENTATION

0 = NO KEY
1 = A
2 = B
3 = C
4 = D
5 = E
6 = F
7 = G
8 = H



DAUGHTERCARD HOLE PATTERN (CONNECTOR SIDE)

- NOTES:
- MATERIALS: HOUSING - LIQUID CRYSTAL POLYMER (LCP)GLASS-FILLED, UL 94V-0
TERMINALS - HIGH PERFORMANCE COPPER ALLOY
 - FINISH: 30µIN MIN. GOLD IN CONTACT AREA
SELECTIVE TIN/LEAD (-4****) OR SELECTIVE TIN (-5****)
ON PCB TAILS. NICKEL OVERALL.
 - REFER TO MOLEX PRODUCT SPECIFICATION PS-75710-999 FOR PERFORMANCE SPECS.
 - PRODUCT IS PACKAGED PER PK-70873-607.
 - THIS PART CONFORMS TO CLASS B REQUIREMENTS OF COSMETIC SPEC PS-45499-002.
 - GUIDED PARTS TO BE SHIPPED WITH 2-32 TYPE AB
SELF-TAPPING SCREW P/N 73726-0005.
 - FOR GROUNDED GUIDE MODULES USE DIA 2.45+/-0.10 (PTH), DIA 2.58 (DRILL),
AND DIA 4.50 (PAD).

ADD ESD OPTION EC NO: UCP2008-2813 DRW:MCARRANZA 2008/09/04 CHKD:JLAURX 2008/09/10 APPR:JLAURX 2008/09/11 REV:	QUALITY SYMBOLS ▽=0 ▽=0	GENERAL TOLERANCES (UNLESS SPECIFIED) <table border="1"> <tr> <th></th> <th>mm</th> <th>INCH</th> </tr> <tr> <td>4 PLACES</td> <td>± ---</td> <td>± ---</td> </tr> <tr> <td>3 PLACES</td> <td>± ---</td> <td>± ---</td> </tr> <tr> <td>2 PLACES</td> <td>± 0.13</td> <td>± ---</td> </tr> <tr> <td>1 PLACE</td> <td>± 0.25</td> <td>± ---</td> </tr> </table> ANGULAR ±1/2°		mm	INCH	4 PLACES	± ---	± ---	3 PLACES	± ---	± ---	2 PLACES	± 0.13	± ---	1 PLACE	± 0.25	± ---	DIMENSION STYLE MM ONLY DRAWN BY DATE MCARRANZA 3/20/06 CHECKED BY DATE JLAURX 3/21/06 APPROVED BY DATE JLAURX 3/21/06	SCALE 4:1 DESIGN UNITS METRIC THIRD ANGLE PROJECTION	TITLE I-TRAC DAUGHTERCARD 7 ROW GUIDE RIGHT SIGNAL MODULE MOLEX INCORPORATED DOCUMENT NO. SD-76020-004 SHEET NO. 1 OF 1
		mm	INCH																	
	4 PLACES	± ---	± ---																	
	3 PLACES	± ---	± ---																	
2 PLACES	± 0.13	± ---																		
1 PLACE	± 0.25	± ---																		
DRAFT WHERE APPLICABLE MUST REMAIN WITHIN DIMENSIONS		MATERIAL NO. SEE CHART SIZE C	THIS DRAWING CONTAINS INFORMATION THAT IS PROPRIETARY TO MOLEX INCORPORATED AND SHOULD NOT BE USED WITHOUT WRITTEN PERMISSION																	